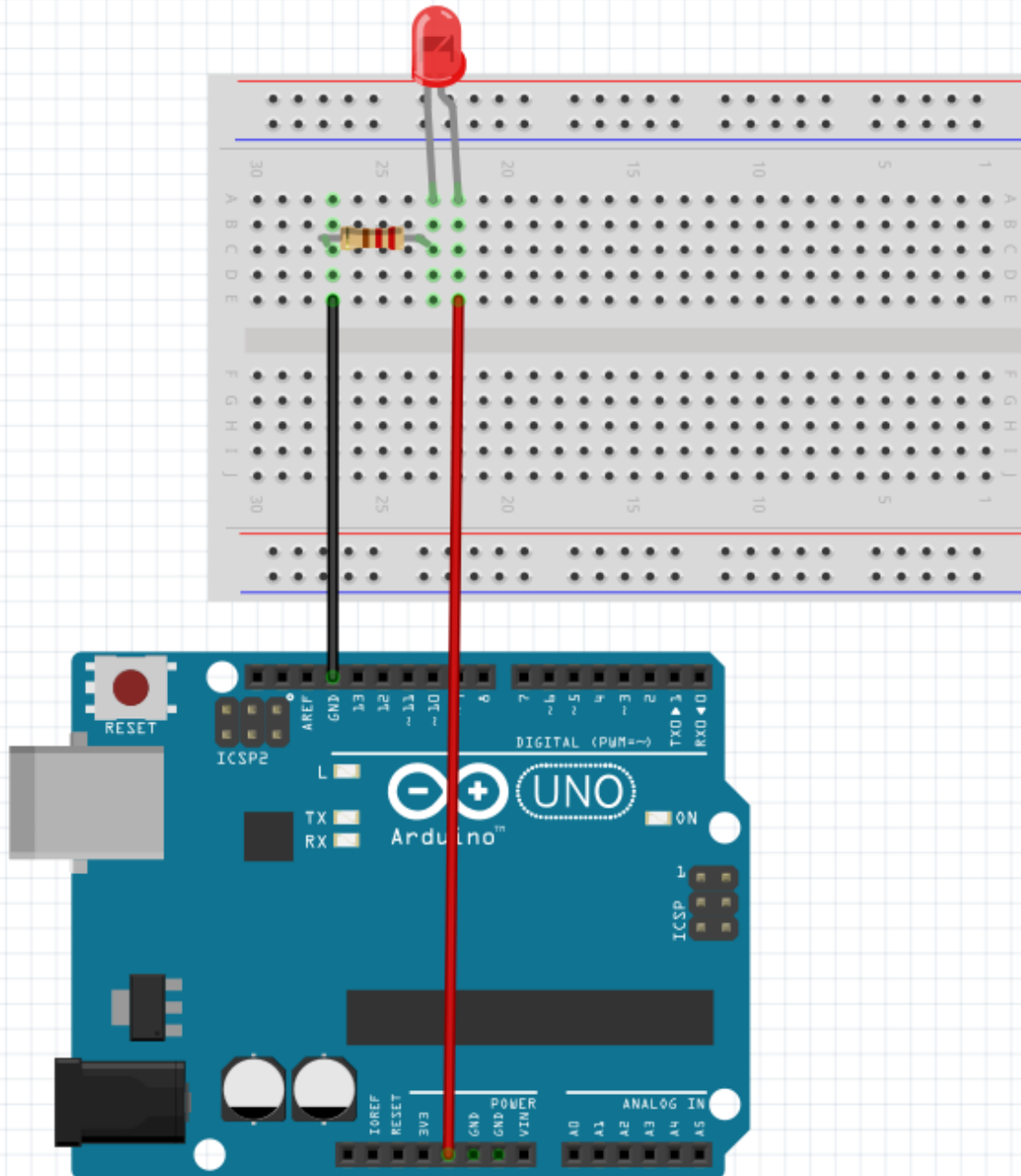


Circuit Recipe: Circuit 1 – An LED that Lights Up

Circuit Description:

This project creates a simple circuit that will light a single LED. The purpose of this exercise is to introduce breadboards and circuit building, and to test the first circuit. Almost all of this circuit will be used in the next exercise, so do not tear it down when you are done.

Circuit Diagram:



Notes:

- Place an LED into the breadboard. (note the positive side – longer leg)
- Run a wire from 5v on the Arduino to the positive leg on the LED.
- Place a 220 ohm resistor into the breadboard where one leg is on the same pins as the negative leg of the LED. The other leg can go into any set of pins.
- Run a wire from the second leg of the resistor to ground on the Arduino

Arduino Code:

This circuit does not require any code.